



— Pharma Process & Packaging

www.saintyco.com

CM SERIES

Colloid Mill



CM SERIES

Colloid Mill



COLLOID MILL

CE



CM series colloid mill is a new-type equipment of wet type super micro grain processing, suitable for the homogenization, emulsification, separation, smash and milling of various emulsions. It is widely used in foodstuff (fruit jam, juice, albumen milk, soy milk, milk tea, dairy, beverage, etc.), pharmacy (various syrups, nutrition liquid, Chinese Traditional Patent Medicine, poultice, etc.), daily chemical (toothpaste, cosmetic, washing lotion, etc.), chemical industry (pigment, dyestuff, dope, lubrication, petroleum activator, etc.), emulsion asphalt, coal floating agent, ceramic glaze, emulsion detonator, nanometre material, etc.

Features

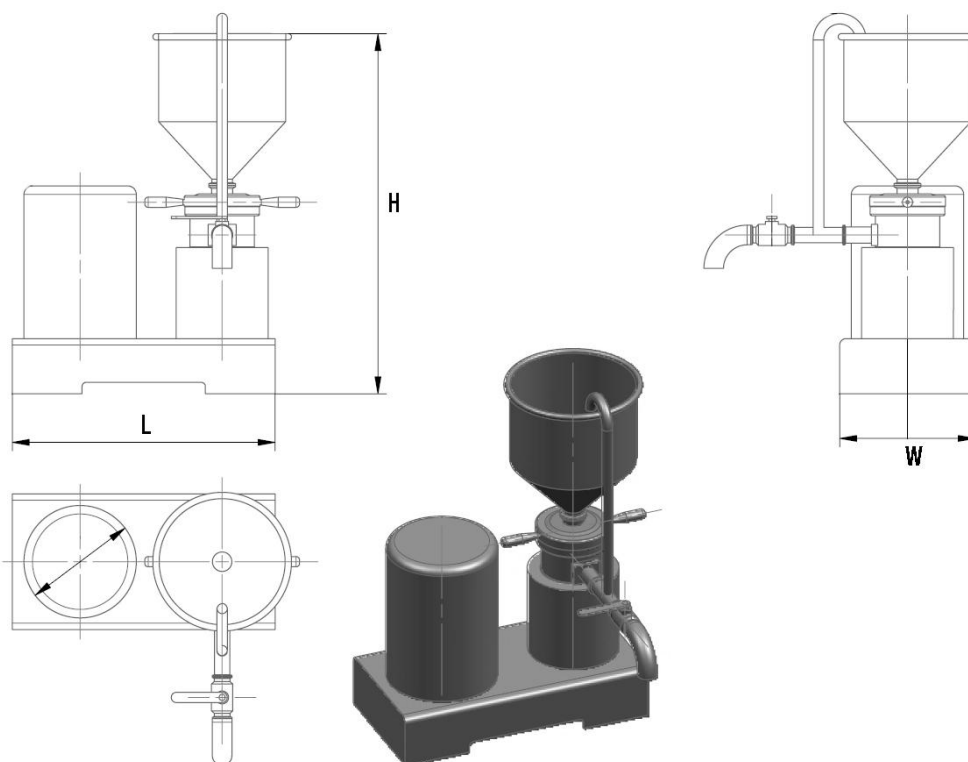


Features

- Contact parts made of stainless steel.
- Coupling provided between motor shaft and rotor shaft for ease in maintenance.
- Three way cock system for draining and recirculation of the liquids provided as standard. Extra discharge sprout provided as a standard for viscous products.
- Contact parts can be easily dismantled for cleaning.
- Colloid mills work on the rotor-stator principle: a rotor turns at speeds (2900 RPM).



Technical Data



Technical Data	CM-80	CM-100	CM-120	CM-140	CM-180	CM-200
Fineness(um)	2-50	2-50	2-50	2-50	2-50	2-50
Output(t/h)	0.5-1.0	0.5-2.0	0.7-2.5	1.0-4.0	2.0-6.0	2.0-10.0
Power(kW)	4	5.5	5.5	11-15	11-15-22	15-30
Speed(r/min)	2900	2900	2900	2900	2900	2900
Diameter of Scafe(mm)	Ø80	Ø100	Ø120	Ø140	Ø180	Ø200
Diameter of Outlet(mm)	Ø25	Ø32	Ø32	Ø32	Ø40	Ø50
Diameter of Inlet(mm)	Ø47	Ø47	Ø60	Ø60	Ø65	Ø100
Cooling Pipe(mm)	Ø12	Ø12	Ø12	Ø12	Ø12	Ø12
Dimension L×W×H(mm)	620×300× 930	720×350× 930	760×350 ×930	860×400× 950	860×450× 950	920×450 ×950

SaintyCo also offer:

- Softgel Manufacturing Line
- Automatic Gummy Product Line
- Suppository Processing
- Vacuum Emulsifying Mixer

For additional information, please drop email to info@saintyco.com.

