



— Pharma Process & Packaging

www.saintyco.com

NS-A2

Infusion Bag/IV Bag
Filling-Sealing Machine



NS-A2

Infusion Bag/IV Bag
Filling-Sealing Machine



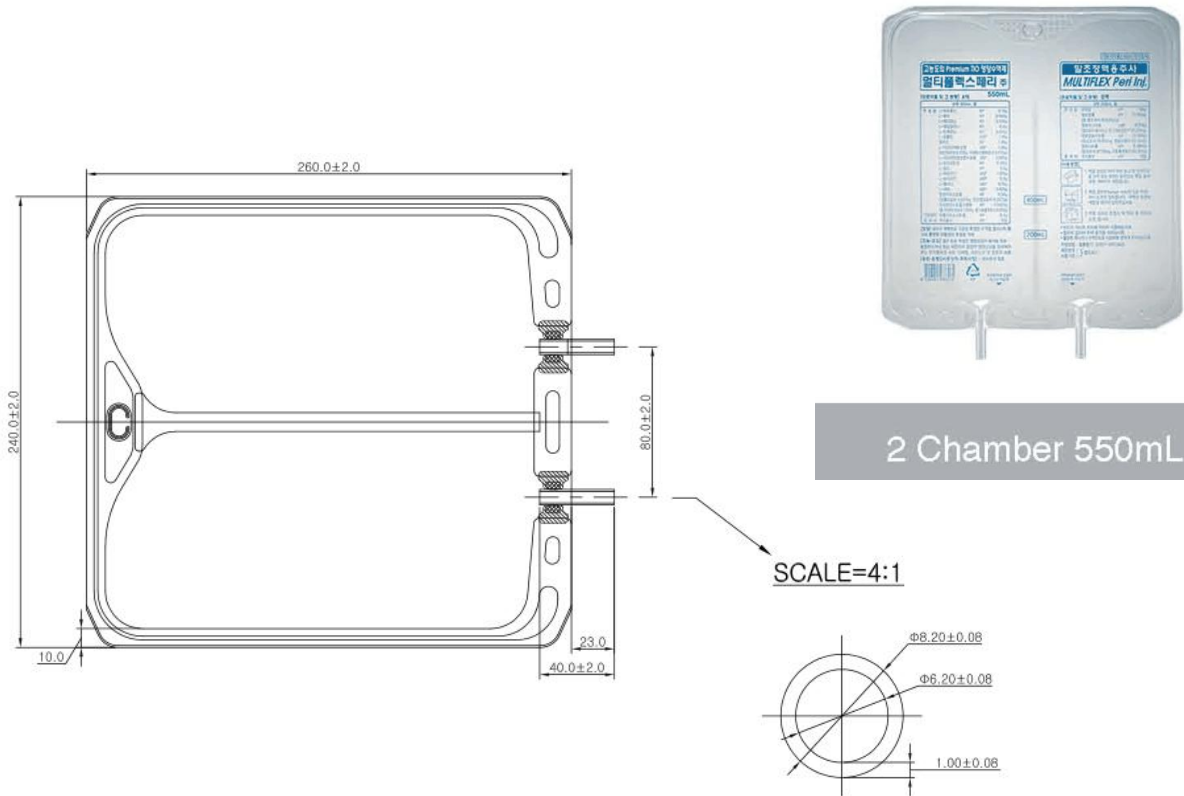
Features



Features:

- Small used space;. It saves plant space. And easy to Installation.
- Continuous putting bags by Operator is for saving operation time, Improve efficiency.
- Each filling head can be controlled Individually by computer Program and Easy to be operated by PLC, Touch screen. To satisfied with customer' s various of filling requirement.
- High filling accuracy. Each filling Nozzle (Head) filling accuracy $\leq 1 \pm \%$.
- Filling capacity is within Large extent. From 50ml to 5000ml(adjustable).
- Filling and sealing of a very wide range of bag types made from a similarly.wide range of materials(PP.. PVC . Or other Non-PVC Etc) .
- Machine with newest function” No bag.No filling-sealing” and “No stopper. No filling-sealing” Controlled Automatically.

Technical Data



Technical Data	NS-A2
Power source	AC220V, 50~60Hz
Power input	0.8kw
Work pressure of Cylinder	More than 0.5Mpa~0.6Mpa
Work pressure of Liquid	More than 0.15Mpa~0.25Mpa
Filling Capacity	50-5000ML(adjustable)
Filling speed(with 2 Filling Modular)	1300bags/h(500ml/bag)
Filling Accuracy	Less than 1%
The use of Environment temperature	-10-65℃
Filling molds	With 1-4 Filling mould
Machine Weight	150Kg
Machine dimension	1000*1300*1850mm

SaintyCo also offer:

Softgel Manufacturing Line

Suppository Filling and Sealing Machine

Vacuum Emulsifying Mixer

Cartoning Systems

Automatic Liquid Filler

