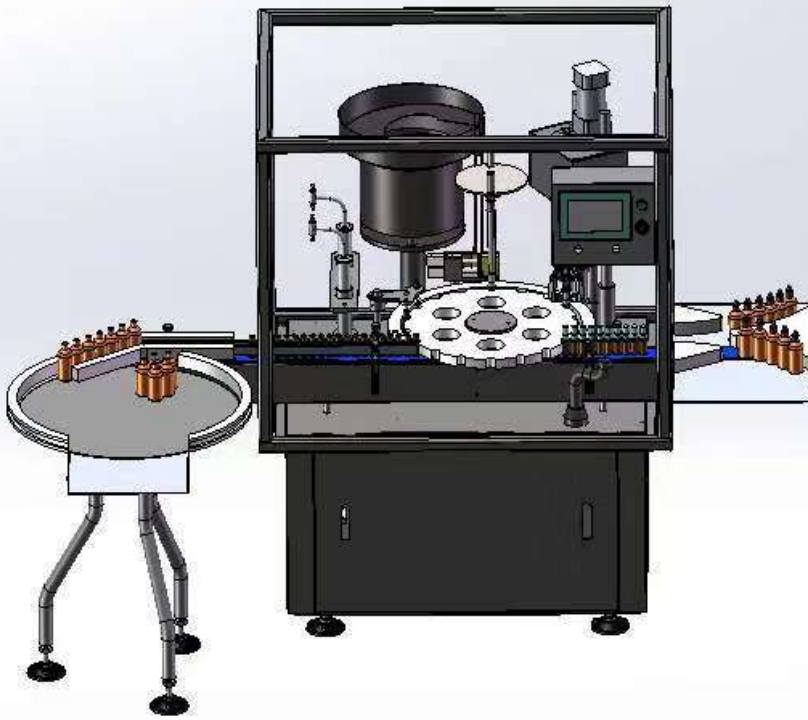


Tincture Filling & Capping

Monoblock Liquid Filler





Star-Wheel Indexing Table

Servo Dual Filling

"Eye Dropper " Placement

Cap Torquer



Features:

- 7.5" Color Touch Screen Control
- Vial Detector & Counter
- Variable Speed Controls
- Comprehensive Safety Alarm System
- E-Stop
- 304 Stainless Steel Panels with Hairline Finish
- Polycarbonate Interlock Doors Around Star-wheel Section

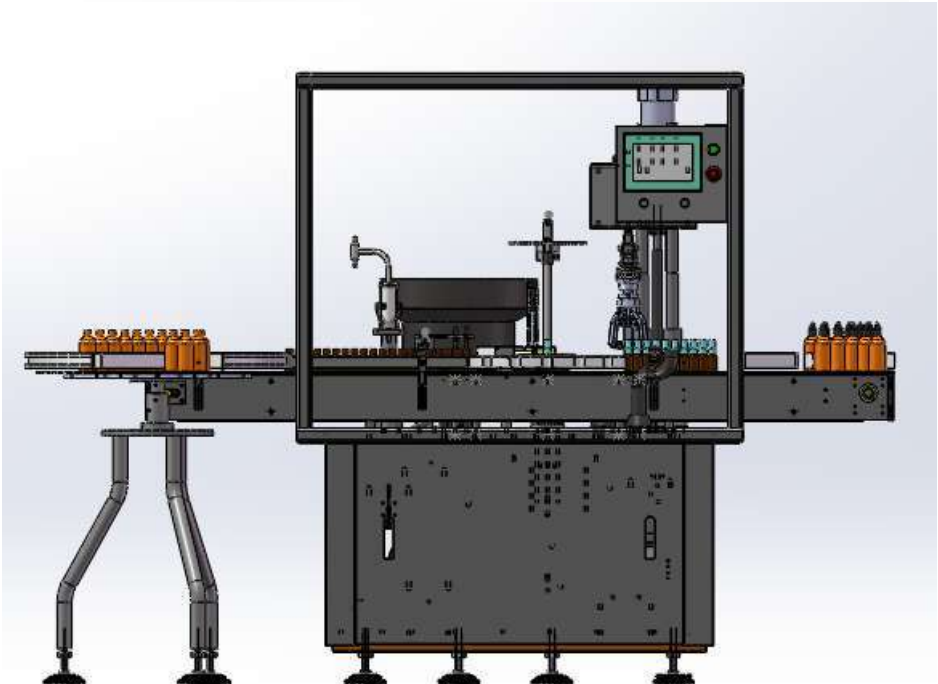
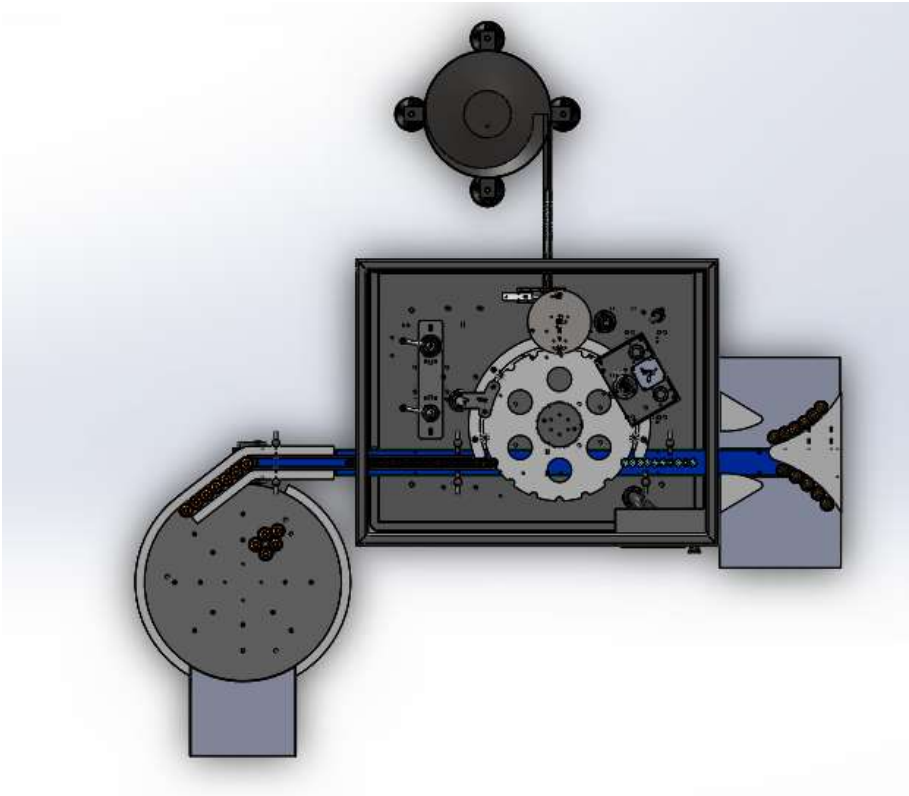


Central Star-Wheel Indexing Table
Empty Bottles Enter a Central Star-Wheel Indexing Table which moves them to a Two Head Filling Station, a Cap/Eyedropper Insertion Station and a Cap Torquing Station.

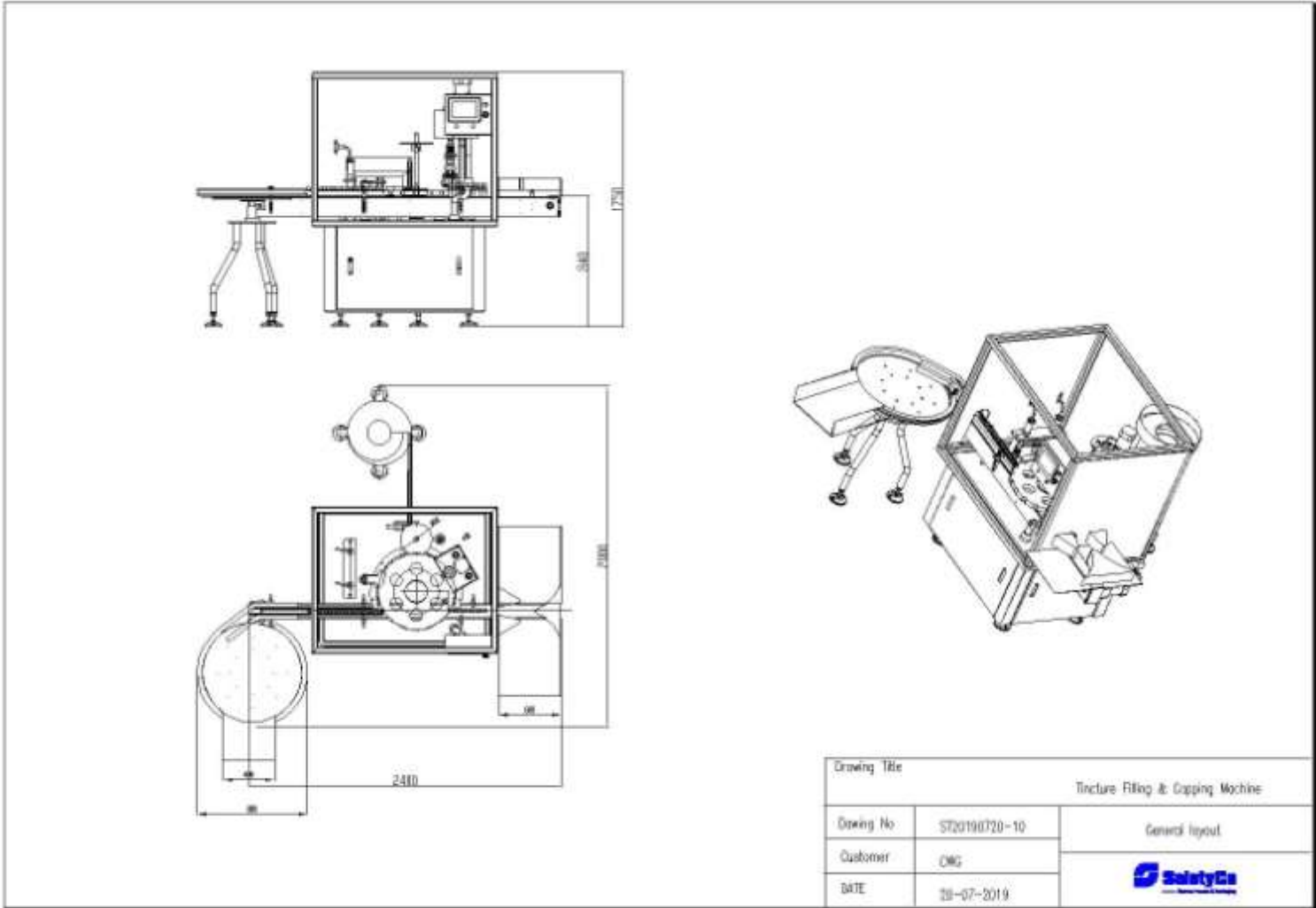
GENERAL

- **ROTARY INFEEED TABLE** Starts Bottles Down the Conveyor
- **ROTARY MONOBLOCK SYSTEM** Moves Bottles to Each Station
- **CAPABLE OF HANDLING** Glass, Metal, PE, PP & PVC Containers
- **FILL STATION** 316 SS, Dual Head, Adjustable Diving Nozzles, Servo Driven w/Piston. Rated at Up To 60 Fills per Minute.
- **“EYE DROPPER”** Caps Move from Vibratory Bowl to Horizontal Feeding Track. Final Insertion in Bottle
- **CAPS** Are Tightened By a Single Chuck Torquer
- **ACCUMULATION TABLE** Accepts Finished Bottles





Dimensions:



Drawing Title		Tincture Filling & Capping Machine
Drawing No	ST20190720-10	General layout
Customer	OMC	
DATE	20-07-2019	

SaintyCo also offer:

- Infeed Table
- Infeed Conveyor
- Bander
- Heat Tunnel
- Conveyor
- Wrap Labeler with Hot Stamp Imprinter
- Cartoner
- Labeler

