

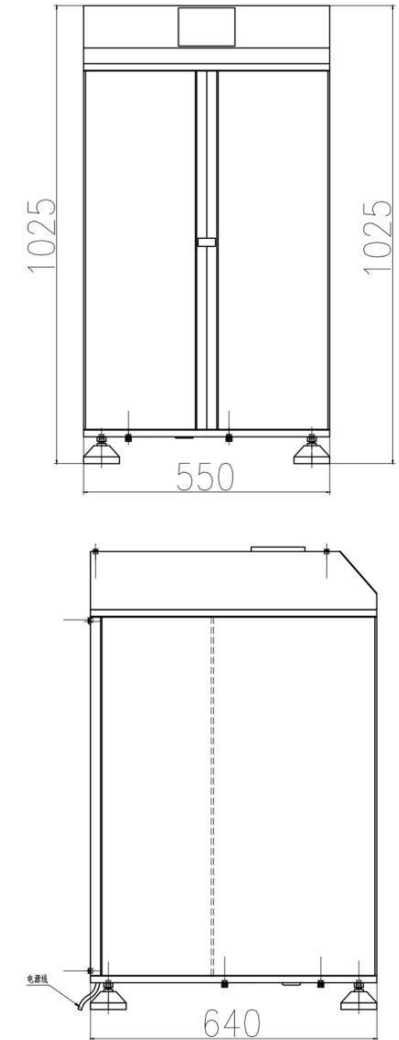
Tablet Press

Catalogue-2019



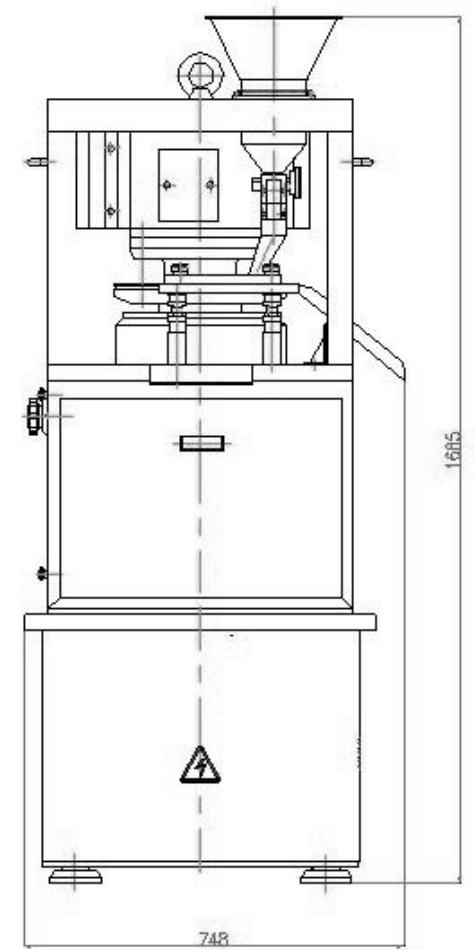


Technical Data	ONETab	
	OneTab-12	OneTab-25 /OneTab-25 Plus
Stations number	1	1
Maximum tablet diameter	12mm	25mm
Maximum compression force	5tons	5tons
Depth of fill	13mm maximum	20mm maximum
Tablets/hour	3600pcs/h	3600pcs/h
Upper punch penetration	0-8mm	0-8mm
Hopper	open gravity feeder	open gravity feeder
Motor power	1.1kW	1.5kW
Speed control	Variable by means of inverter	Variable by means of inverter
Electrical specifications	220V 50/60Hz Single-phase	220V 50/60Hz Single-phase
Net weight	100kg	185kg
Gross weight	135kg	220kg
Machine's dimensions	450×550×750mm	500×580×830mm



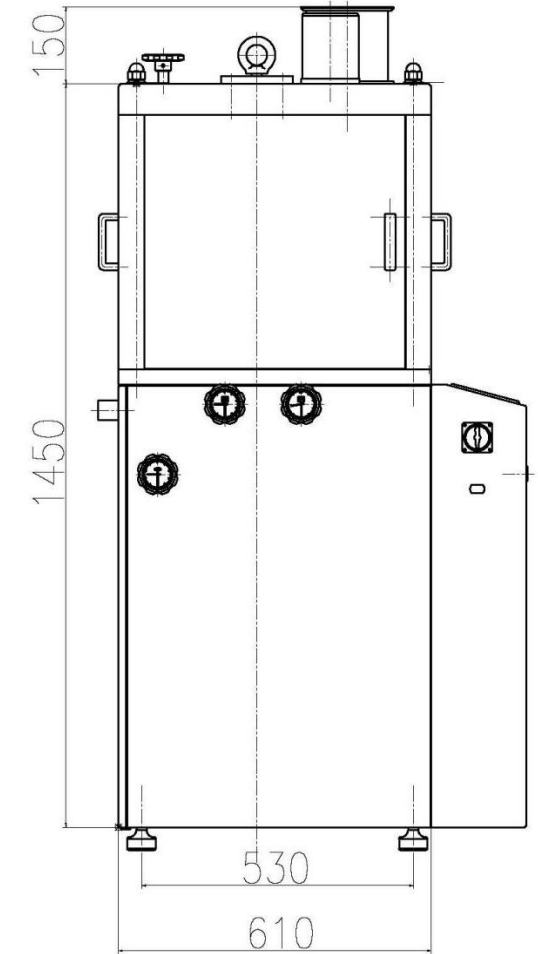


Technical Data	MINITab			
	ST8	ST10	ST16	ST24
Machine Configurations	Mono-layer			
Punch&die type(TSM)	D	B	BB	BBS
Number of press station	8	10	16	24
Max tablet diameter(mm)	25	18	13	11
Max output(Tablet/h)	14,400	18,000	28,800	43,200
Max filling depth(mm)	16	16	16	16
Max main pressure(KN)	60	60	60	60
Max pre pressure(KN)	10	10	10	10
Idle load noise dB(A)	<70			
Power	380V 50/60HZ 2.2KW			
Dimension (mm)	750x800x1628			
Weight (KG)	550			



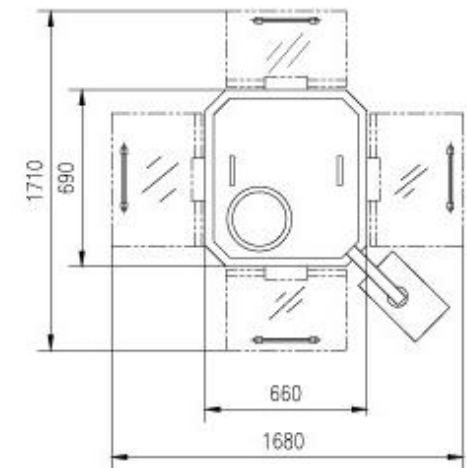
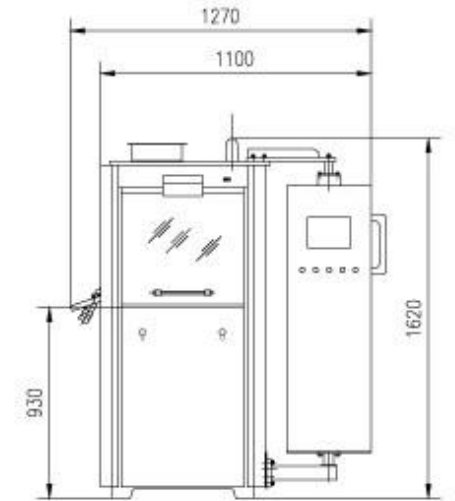


Technical Data	ProTab			
	ST8	ST10	ST14	ST16
Tool Type	D	B	D	B
Dies (set)	8	10	14	16
Max Pressure (KN)	80	80	80	80
Max Pre-pressure (KN)	15	15	15	15
Max Tablet Diameter (mm)	25	16	25	16
Max Filling Depth(mm)	20	16	20	16
Tablet Thickness (mm)	0.5~8	0.5-8	0.5~8	0.5-8
Upper and Lower Plunger Diameter (mm)	25.35	19	25.35	19
Upper and Lower Plunger Length (mm)	133.6	133.6	133.6	133.6
Center Die Diameter mm)	38.1	30.162	38.1	30.162
Center Die Thickness (mm)	23.81	22.225	23.81	22.225
Max Speed of Main Shift (r/min)	50	50	50	50
Max Production Capacity (t/h)	24000	30000	42000	48000
Power Supply	3PH 380V/220V 50Hz/60Hz 3.0kw			
Dimension (mm)	835x705x1650			
Weight (kg)	900			



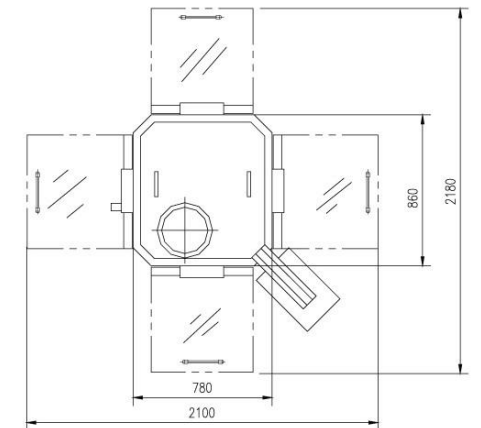
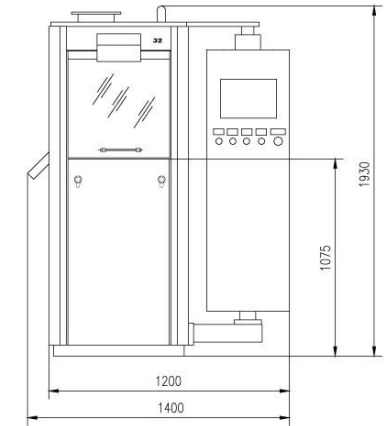


Technical Data	PrimaPress			
	ST15	ST17	ST20	ST25
Machine configurations	Mono-layer			
Punch&die type(EU)	D	B	BB	BBS
Number of press station	15	17	20	25
Max tablet diameter(mm)	25	16	13	11
Max abnormal prolate axis size	25	18	16	13
Max output(Tablet/h)	70000	80000	95000	118000
Max filling depth(mm)	20	16	16	16
Max main pressure(KN)	100	80	80	80
Max pre pressure(KN)	12	12	12	12
Idle load noise dB(A)	<75			
Power	380V 50HZ 5.5KW			
Dimension (mm)	660x690x1620			
Weight (KG)	675			



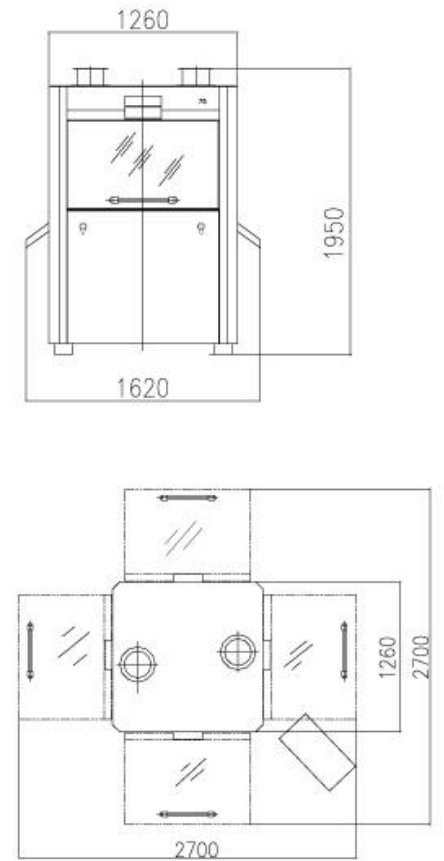


Technical Data	AdvantaPress			
	ST26	ST32	ST40	ST45
Machine Configurations	Mono-layer			
Punch&die type(EU)	D	B	BB	BBS
Number of press station	26	32	40	45
Max tablet diameter(mm)	25	16	13	11
Max abnormal prolate axis size	25	18	16	13
Max output(Tablet/h)	170000	210000	260000	280000
Max filling depth(mm)	20	18	18	18
Max main pressure(KN)	100	80	80	80
Max pre pressure(KN)	20	20	20	20
Idle load noise dB(A)	<75			
Power	380V 50HZ 9.5KW			
Dimension (mm)	780x860x1930			
Weight (KG)	1650			



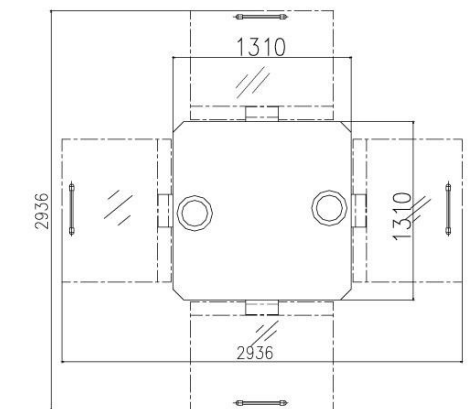
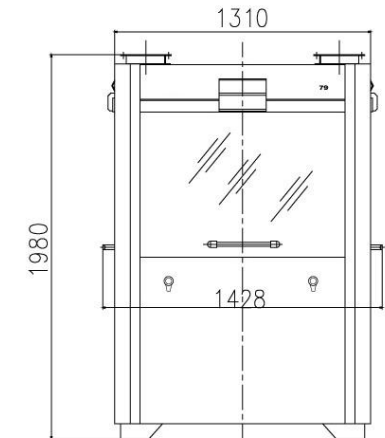


Technical Data	AdvantaPress Plus			
	45	55	69	75
Machine configurations	Mono-layer,Bi-layer			
Punch&die type(EU)	D	B	BB	BB
Number of press station	45	55	69	75
Max tablet diameter(mm)	25	16	13	13
Max abnormal prolate axis size	25	18	16	16
Max output(Tablet/h)	390000	470000	580000	630000
Max filling depth(mm)	20	18	18	18
Max main pressure(KN)	100	100	100	100
Max pre pressure(KN)	20	20	20	20
Idle load noise dB(A)	<75			
Power	380V 50HZ 10.5-13KW			
Dimension (mm)	1260x1260x1950			
Weight (KG)	3750			



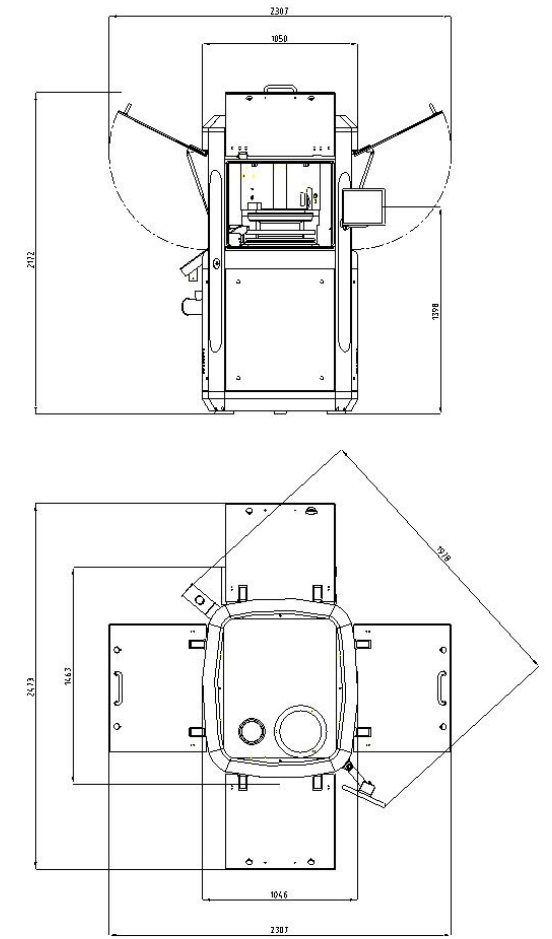


Technical Data	MagnaPress			
	ST49	ST61	ST73	ST79
Machine configurations	Mono-layer,Bi-layer			
Punch&die type(EU)	D	B	BB	BBS
Number of press station	49	61	73	79
Max tablet diameter(mm)	25	16	13	11
Max abnormal prolate axis size	25	18	16	13
Max output(Tablet/h)	430000	530000	630000	680000
Max filling depth(mm)	20	18	18	18
Max main pressure(KN)	100	100	100	100
Max pre pressure(KN)	100	100	100	100
Idle load noise dB(A)	<75			
Power	380V 50HZ 13.5-15KW			
Dimension (mm)	1310x1310x1980			
Weight (KG)	4600			



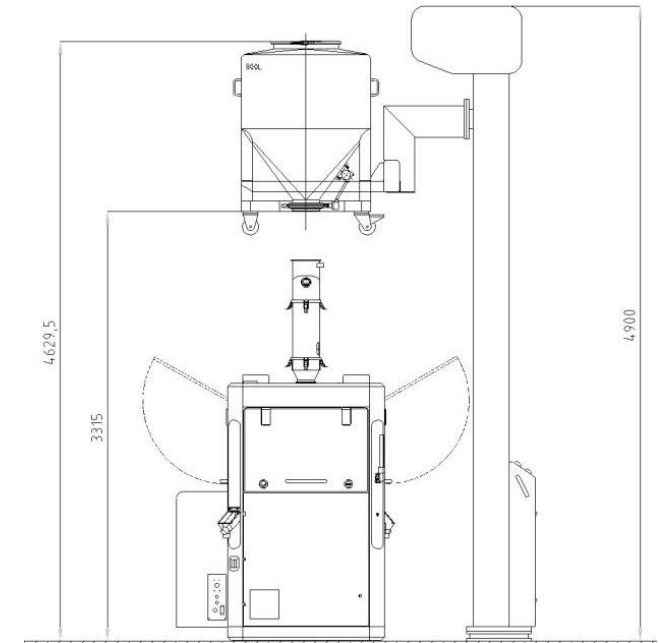


Technical Data	Smart S			
	ST26	ST32	ST40	ST44
Machine Configurations	Mono-layer			
Punch&die type(EU)	D	B	BB	BBS
Number of press station	26	32	40	44
Max tablet diameter(mm)	25	16	13	11
Max output(Tablet/h)	175,000	220,000	270,000	300,000
Max filling depth(mm)	20	16	16	16
Max main pressure(KN)	100	80	80	80
Max pre pressure(KN)	40	40	40	40
Compressed air	100L/min 0.6-0.8MPa			
Power	400V 50/60HZ 8Kw			
Closed Dimension (mm)	1320x1020x1998			1463x1580x2081(Classic)
Opened Dimension(mm)	2198x2124x2307			2473x2307x2172(Classic)
Weight (KG)	1,925			2,800(Classic)





Technical Data	Smart Plus			
	ST45	ST55	ST67	ST73
Machine Configurations	Mono-layer,Bi-layer			
Punch&die type(EU)	D	B	BB	BBS
Number of press station	45	55	67	73
Max tablet diameter(mm)	25	16	13	11
Max output(Tablet/h)	432,000	528,000	643,000	700,000
Max filling depth(mm)	20	16	16	16
Max main pressure(KN)	100 (120 Optional)	100	100	100
Max pre pressure(KN)	80 (100 Optional)	80 (100 Optional)	80 (100 Optional)	80 (100 Optional)
Compressed air	100L/min 0.6-0.8MPa			
Power	400V 50/60HZ 22Kw			
Dimension (mm)	1426x1326x2148			
Weight (KG)	4,100			





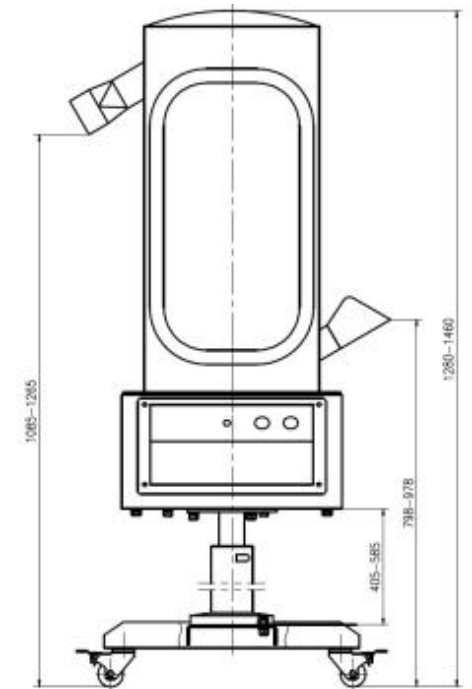
Technical Data	UltraTab			
	29	36	43	47
Machine Configurations	Mono-layer			
Punch&die type(EU)	D	B	BB	BBS
Number of press station	29	36	43	47
Max tablet diameter(mm)	25	16	13	11
Max output(Tablet/h)	139,200	216,000	258,000	282,000
Max filling depth(mm)	18	18	18	18
Max main pressure(KN)	100	100	100	100
Max pre pressure(KN)	100	100	100	100
Speed of turret(r/min)	15-80	15-100		
Power	380V 50/60HZ 3P 11Kw			
Dimension (mm)	1230x1230x2250			
Weight (KG)	3,800			



Technical Data	UltraTab Plus			
	51	63	75	81
Machine Configurations	Mono-layer,Bi-layer			
Punch&die type(EU)	D	B	BB	BBS
Number of press station	51	63	75	81
Max tablet diameter(mm)	25	16	13	11
Max output(Tablet/h)	489,600	604,800	720,000	777,600
Max filling depth(mm)	18	18	18	18
Max main pressure(KN)	100	100	100	100
Max pre pressure(KN)	100	100	100	100
Speed of turret(r/min)	15-80			
Power	380V 50/60HZ 3P 18.5Kw			
Dimension (mm)	1430x1430x2190			
Weight (KG)	5,000			



Technical Data	C&C200C
Tablet Diameter (mm)	Ø5-Ø25
Max Output Capacity (t/h)	800000(Ø6)
Inlet height (mm)	798-978
Outlet height (mm)	1085-1265
Dedusting Distance (m)	6.0
Power Supply	1PH 220V/110V 50Hz/60Hz 0.1kw
Compression Air	0.1 m ³ /min 0.05MPa
Vacuum	2.7 m ³ /min -0.1MPa
Dimension (mm)	500 x 550 x(1280-1460)
Weight (kg)	70





Technical Data	DC200
Suction volume	210 m ³ /h
Max.vacuum degree	20 Kpa
Power	2.2 Kw
Power supply	380V/50Hz / Triphase or as per required.
Dimensions	780x450x1150(mm)
Net weight	75Kg



Technical Data	TUOER-III
Blowing rate	1688-2476
Pressure(Pa)	1600-1100
Power(Kw)	3
Noise(dB)	70
Dimension	603x633x1850
Total weight	155



Technical Data	Maximum scanning sensitivity (mm)			Maximum throughput (L/h)
	Fe(mm)	SUS (mm)	NoFe (mm)	
T50/20	0.2	0.4	0.25	350 000
T68/18	0.2	0.4	0.25	460 000
T80/20	0.25	0.5	0.3	650 000