



— Pharma Process & Packaging

www.saintyco.com

Laboratory High Shear Mixer and Granulator



CATALOGUE

High Shear Mixer Granulator for Lab-*Interchange Pan*

SMG laboratory high shear mixer and granulator is one of the ordinary process equipment which is widely adopt in solid dosage production for mixing, granulating and milling in research center of pharmaceutical industries, and it also can be used in laboratory of chemical, food industries Etc.



1L

3L

6L

10L

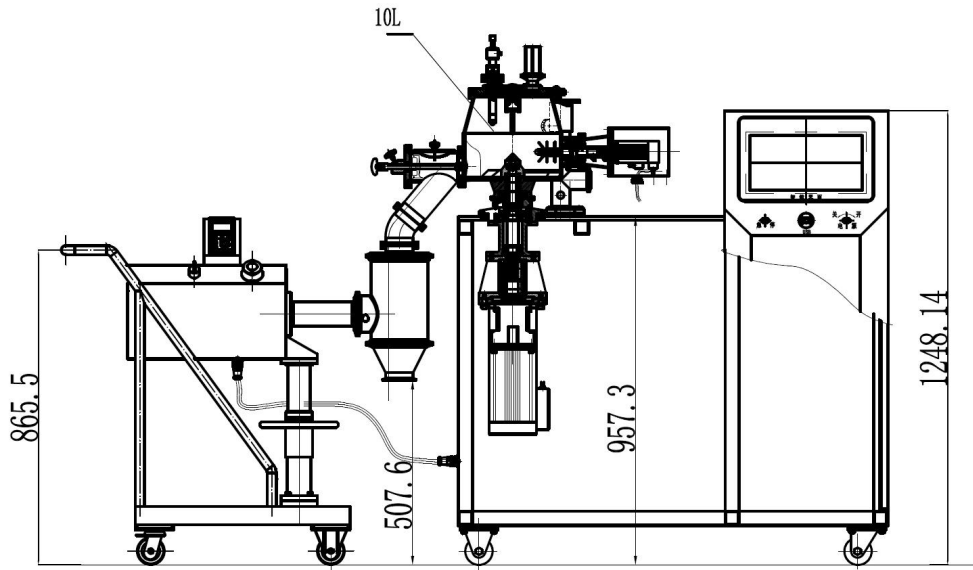
Interchangeable with four pans to use.

Features:

- Automatic PLC control,mixing,granulating and milling one-step accomplished in one machine, compact design with less space occupy.
- Equipped with M28 impeller which ensure excellent granulation, even when main material and auxiliary material have big specific density difference.
- Products are firm and uniform and high yield.
- Can be efficiently match with drying machine.
- Automatic judging of the terminal point of granulating process, having a good process reproducibility.
- Agitator and chopper blade axis adopting pneumatic seal and combined machinery connection which avoid cross contamination to meet the requirement of GMP production.
- Interlayer material container is optional to heat or cool the material which meet the requirements of different granulating process.
- Pressure slurry charging and atomizing slurry charging is for option.
- WIP washing in place system is for option.



Dimensions:



Technical Data	SMG-1/3/6/10
Container volume	1L
	3L
	6L
	10L
Working volume	0.3-1L
	1-2.5L
	1.5-5L
	3-9L
Capacity	0.1-0.4kg/batch
	0.2-1kgs/batch
	0.5-2kg/batch
	1-3kg/batch
Powder bulk density	0.45kg/L
Mixing speed	50-1000r/min
Mixing motor power	1.5Kw
Granulating speed	150-3000r/min
Granulating power	0.4Kw
Power supply	380V/60Hz, 3Phase, 32A
Compress air pressure	0.4-0.6Mpa
Dimension	2200 x 850 x 1560mm
Weight	300kgs

SaintyCo also offer:

Encapsulation Solutions

Tablet Compression Solutions

Coating Systems

Cartoning Systems

Blister Packing Solutions

