

T ablet/Capsule Counter



Tablet/Capsule Counting Machine

With unparalleled ease the SaintyCo "TC-24" equips your packaging line for accurate counting and filling of all standard and irregular shapes and all sizes of tablets, capsules, caplets, transparent soft gels .. etc.

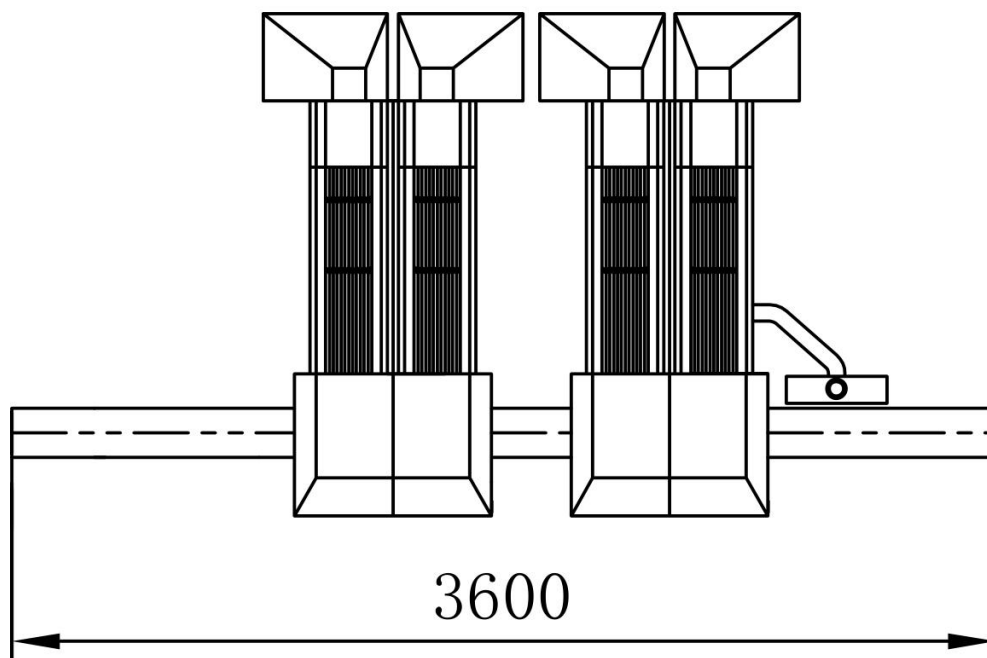


Features:

- Up to:600,000 pcs/hour.
- 100 % counting accuracy guaranteed.
- Count quantity may be set from 1 piece to 9,999 pieces per each bottle.
- Heavy duty stainless steel design with polished welds on all horizontal surfaces to protect from "dust" build up. There are no spot welds and no open seams to allow potential product contamination.
- All product contact materials are 316 Stainless Steel or PET.
- Accurately senses all shapes and sizes of products, including tablets, capsules, caplets, soft gels, transparent soft gels.. etc. Factory testing of samples is free, with no obligation.
- TC-24 is specialized for counting the products of medicine, health care, food, agricultural chemicals, chemical engineering and so on.
- The machine can be used alone as well as with other machines produced by our company to form a complete producing line.
- TC-24 Tablet/Capsule Counter is composed of machine box, three-layer vibrator mechanism, photoelectric counting system, cylinder and electromagnetic valve system, controlling box, conveyor, sensors and so on. Users are able to control the whole working process of the machine through user interface. High speed PLC system controls the whole process including counting, filling and monitoring.
- TC-24 is three layer vibration is adopted.



Three layer vibration is adopted. Material delivery is stable, in order and no overlapped pills will happen. Slot pad can be detached via the operation upon the user-interface.

Dimensions:

Technical Data	TC-24
Number of Counting Channels	24(6+6+6+6)
Max Speed	up to 100 bottles/min
Capacity	100,000-600,000 pcs/hour
Feeding Hopper	30L×4
Container Height Range	40 ~ 240 mm
Container Opening	20 ~ 110 mm
Product Specifications	Tablet Diameter 5 ~ 22mm; Capsule #00 ~ #5
Power	AC 220V/380V 3P 50/60Hz
Weight	1990 Kg
Dimension	3600 × 2250 × 1850 mm

SaintyCo also offer:

Encapsulation Solutions

Tablet Compression Solutions

Coating Systems

Cartoning Systems

Blister Packing Solutions

