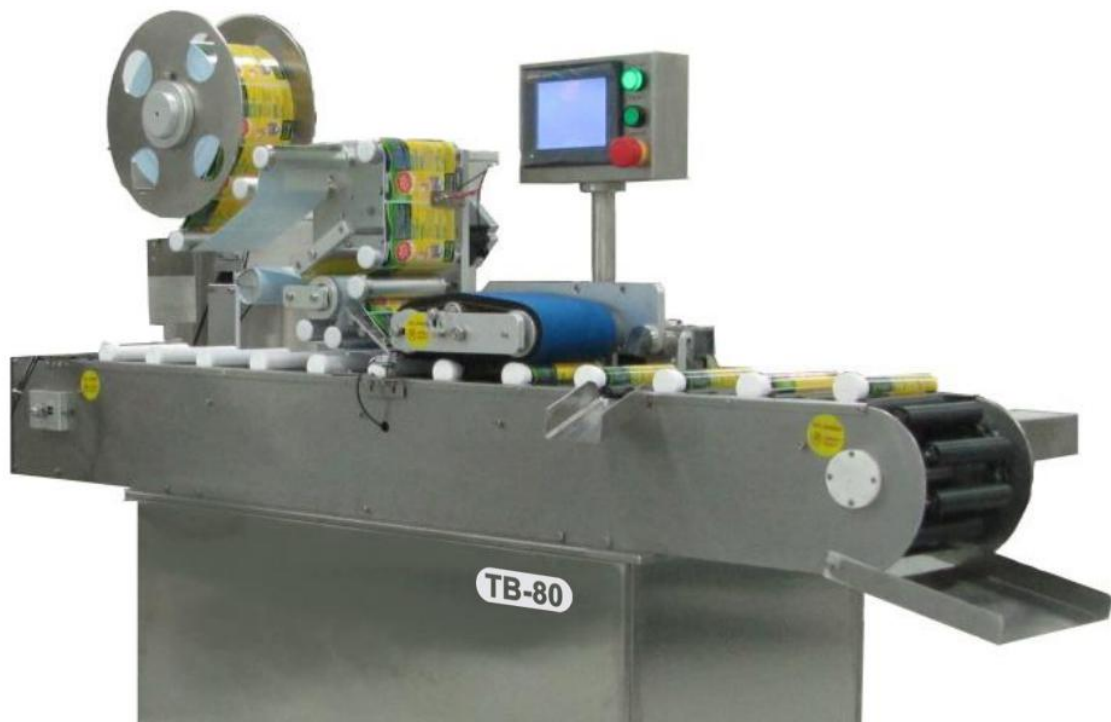


# T ube Labeling Machine



## Automatic tube filling Machine for effervescent tablets

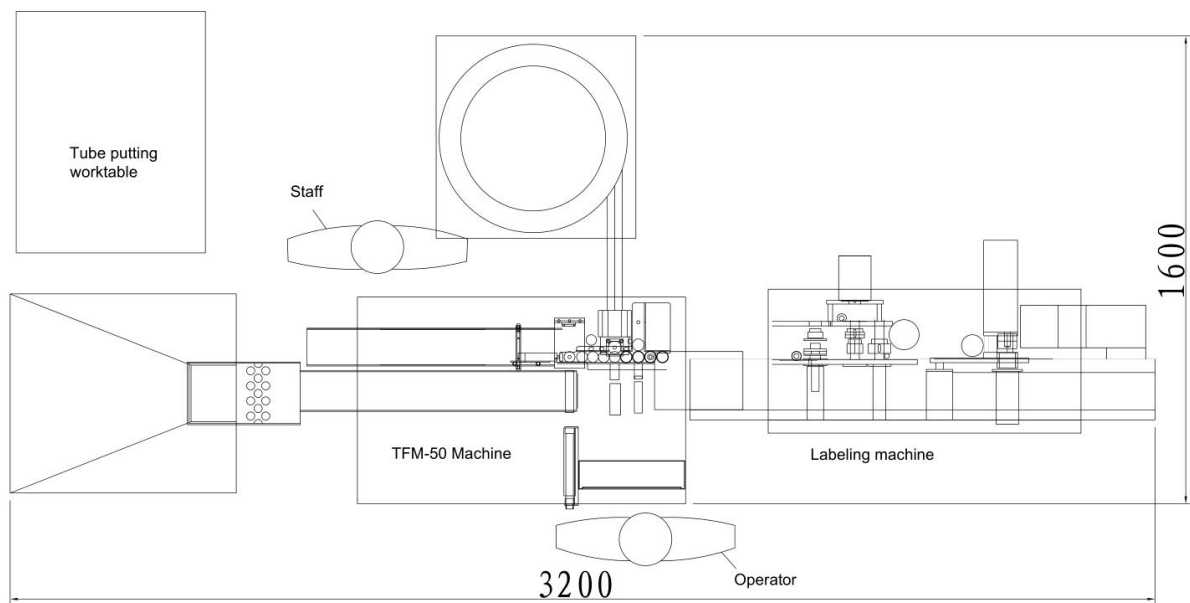
Tube Labeling Machine can be connected to our tube filler(TFM-50A) for good efficiency. They will provide you clean and high quality packing tube product.



**Combination and performance:**

- Tube Labeling machine is designed for labeling on individual tubes.
- Main body is made of SUS304 stainless steel and aluminum alloy in strict accordance with GMP standard.
- Long conveyer belt(1600mm) for tube feeding by manual
- Batch / Lot No. printer
- Connection with TFM-50 tube filler available.
- Spare parts for one year.
- Operation manual in English
- PLC control

**Dimensions:**



Specifications	TB-80
Voltage	220V 50Hz
Power	0.5Kw
Outer diameter of label roll	300mm
Center diameter of roll	72mm
Capacity	0~18m/min : Max. 80tubes/min.
Weight	150kgs
Dimension(L x W x H)	1600 x 800 x 1400mm



SaintyCo also offer:

Encapsulation Solutions

Tablet Compression Solutions

Coating Systems

Cartoning Systems

Blister Packing Solutions

