

# High Shear Mixer Granulator

## SMG-T Series



## High Shear Mixer Granulator

**SMG-T** Mixer Granulator is widely used in granulation process of pharmaceutical, food, and feed industry because of its high efficiency.



**Principle:**

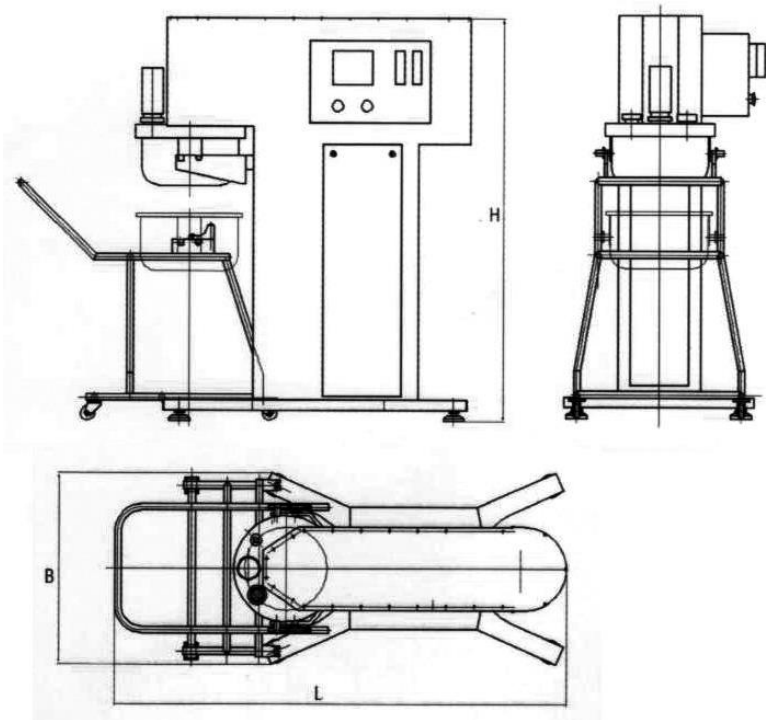
Powder is charged into the bowl of SMG-T mixer granulator and wetted by a liquid or a melt sprayed from the top nozzle. At the same time, the material is vigorously mixed by a mixer and chopped by a chopper. The wet granules are normally discharged into a core mill before they are dried by a fluid bed drier. The granules made by SMG-T are rounder and stronger than the granules made by the top spray fluid bed.

**Features:**

- Making rounder and stronger granules with high density.
- Mixing and granulating in one step.
- Automatic discharge.
- Compressed air seal the mixer and chopper.
- Closed system measure up with GMP.
- Save the volume of binding liquid.
- Save process time.
- Intelligent control system.



**Dimensions:**



Parameters	SMG-T 5	SMG-T 10	SMG-T 25	SMG-T 50	SMG-T 100	SMG-T 250	SMG-T 400	SMG-T 600	SMG-T 1200
Volume	5	10	25	50	100	250	400	600	1200
Working Volume	3.5	7	18	35	70	180	280	420	840L
Output Capacity	1.5	1.5	2.2	5.5	7.5	15	22	37	55
Agitator Speed	25-500	25-500	25-500	22-220	22-220	22-220	15-155	12-140	10-110
Motor	0.37	0.75	1.5	1.5	2.2/3.7	3.7/5.5	5.5/7.5	7.5/11	7.5/11
Chopper Speed	100/3000	100/3000	300/3000	300/3000	300/1500	300/1500	150/1500	150/1500	150/500
Dimension (L×B×H)	500×320×980	500×320×1100	900×600×1750	1300×700×1800	1600×900×2550	2100×1100×2800	2500×1550×3000	2800×1750×3250	3400×2130×3650
Discharge Height(h)	-	-	600	900	900	1200	1200	1200	1200
Weight	260	318	396	1750	2700	3400	4300	6430	9500

SaintyCo also offer:

Encapsulation Solutions

Tablet Compression Solutions

Coating Systems

Cartoning Systems

Blister Packing Solutions

