

P harma Bin

LDS Series



Pharma Bin

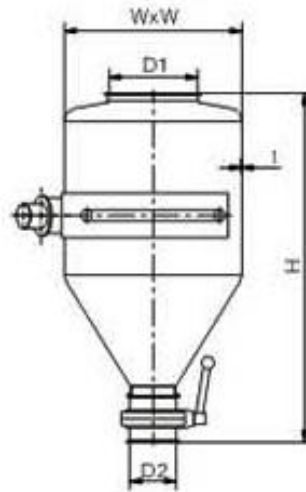
To use with HSD Bin Blender

LDS Series Pharmaceutical Bin is one of the most popular shifting containers used in the producing flow of solid dosage. It can be used along with HSD series Bin Blender. Different processing crafts for solid materials can be operated in the same container. The frequent charging and discharging of materials are reduced thus avoiding dust and cross pollution. It' s conformity with GMP requirements.



Features:

It's made of Austenitic stainless steel. All Angles are cambered. There is no dead angle, con concave-convex face and no screw on surface. The surface outside and inside are polished to high quality. Roughness degree inside is $Ra = 0.2 \mu m$, and outside is $Ra = 0.4 \mu m$. Applying sealing appliance made of silicon latex on the cover to gain a good airproof quality. Tailor-made butterfly valve with no dead angle, no remnant, or appliance against wrong way operation is easy to dismantle and clean. It's in conformity with GMP requirements.

Dimensions:

| Parameters | Volume | Main structural dimensions | | | |
|---------------|--------|----------------------------|-------|-----|-----|
| | L | H | ØD1 | ØD2 | W |
| LDS2 | 2 | 151 | 101.6 | 38 | 150 |
| LDS5 | 5 | 358 | 127 | 50 | 190 |
| LDS10 | 10 | 384 | 127 | 50 | 260 |
| LDS15 | 15 | 465 | 127 | 50 | 260 |
| LDS20 | 20 | 456 | 200 | 75 | 320 |
| LDS25 | 25 | 506 | 200 | 75 | 320 |
| LDS30 | 30 | 556 | 200 | 75 | 320 |
| LDS35 | 35 | 606 | 200 | 75 | 320 |
| LDS50 | 50 | 638 | 200 | 100 | 400 |
| LDS75 | 75 | 783 | 200 | 100 | 400 |
| LDS100 | 100 | 653 | 400 | 200 | 550 |

SaintyCo also offer:

Encapsulation Solutions

Tablet Compression Solutions

Coating Systems

Cartoning Systems

Blister Packing Solutions

