

Round IBC Bin

LDC Series



Round IBC Bin

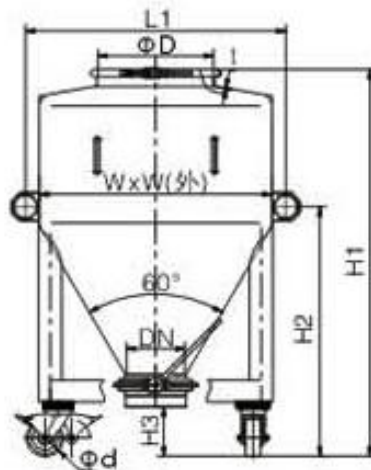
Materials Storage, Transportation

LDC Series Pharmaceutical Bin is one of the most popular shifting containers used in the producing flow of solid dosage. Different processing crafts for solid materials can be operated in the same container. The frequent charging and discharging of materials are reduced thus avoiding the dust and cross pollution. It' s conformity with GMP requirements.



Features:

It's made of Austenitic stainless steel. All angles are cambered. There is no dead angle, no concave/convex face and no screw on the surface. The surfaces outside and inside are polished to high quality. Roughness degree inside is $Ra = 0.2 \mu m$, and outside is $Ra = 0.4 \mu m$. Applying sealing appliances made of silicon latex on the cover to gain a good airproof quality. Tailor-made butterfly valve with no dead angle, no remnant, and appliance against wrong way operation is easy to dismantle and clean.

Dimensions:

Parameters	Volume	Main structural dimensions						
	L	H1	H2	H3	ØD1	ØD1	Ød	DN
LDC100	100	900	140	160	400	660	100	150
LDC150	150	992	140	167	400	750	100	200
LDC200	200	1104	140	167	400	750	100	200
LDC300	300	1106	185	87	400	900	125	200
LDC400	400	1261	185	87	400	900	125	200
LDC500	500	1416	185	87	400	900	125	200
LDC600	600	1468	185	231	500	1200	125	250
LDC800	800	1654	185	231	500	1200	125	250
LDC1000	1000	1654	185	81	500	1200	125	250

SaintyCo also offer:

Encapsulation Solutions

Tablet Compression Solutions

Coating Systems

Cartoning Systems

Blister Packing Solutions

