

Automatic Hi-Speed Bottle Unscrambler



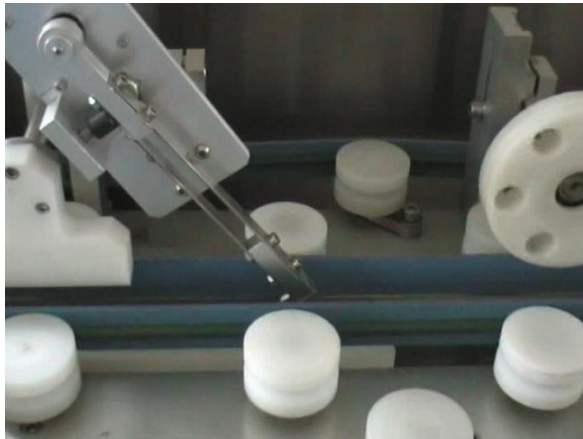
Automatic Hi-Speed Bottle Unscrambler

GLP Series Automatic Hi-Speed Bottle Unscrambler is designed with stainless steel housing and Plexiglas enclosures for operator's safety and protection from dust. It has Automatic Speed Synchronization Setup: Operator dumps empty bottles in the large hopper. With proper speed settings for bottles orientating and the hopper elevator transport bottles onto disc sorter to automatically determined according to bottle size to send to conveyor belt. Bottles are positioned by a special conveyor belt and other simple mechanical functions. It has a compact design with enclosed built-in hopper, automatic lid close/open and disc sorter eliminates noise and saves space. Memory capacity for 10 job settings: Speeds of disc sorter, product separator and orientating belt, as well as bottle height can be saved for future use. All speeds are automatically synchronized after Self-Programmed is accomplished. There is only a single plate change part for changing bottle size, which takes only minutes for changeover.



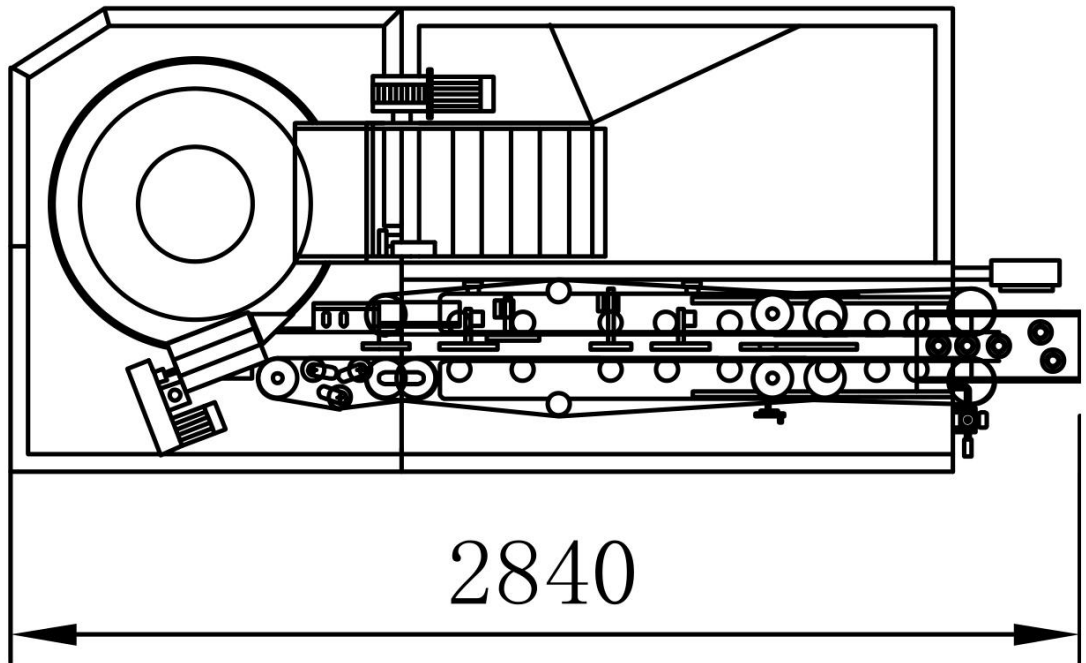
Features:

- Up to:100 bottles/min.
- Touch Screen with Intelligent Self-Programmed provides for ease of operation.
- Variable speed control.
- Bottle Orientating assembly is accurate, adjustable and user friendly.
- All 304 Stainless Steel Construction to meet the cGMP Standard.



Delivery units to scramble and adjust vessels

Dimensions:



Technical Data	GLP
Output	50-200 bottles/min
Bottle size range Diameter	25 mm ~ 75 mm
Bottle Height	30 ~ 120 mm
Compressed Air Pressure	0.3-0.4Mpa
Compressed Air Consumption	50 liters/min
Power	AC 220/380V 1P 50/60Hz
Power Consumption	2 Kw
Machine Dimensions	2840x 1327 x 1403 mm
Machine Weight	1000kg

SaintyCo also offer:

Encapsulation Solutions

Tablet Compression Solutions

Coating Systems

Cartoning Systems

Blister Packing Solutions

