

# Pellets Extruder & Spheronizer



# E50/S250-Pellets Extruder & Spheronizer

## Pharmaceutical Pellet Development for Laboratory

*Extrusion/Spheronization/Centrifugal granulating unit which is compatible two processes*



E50

S250

E50/S250

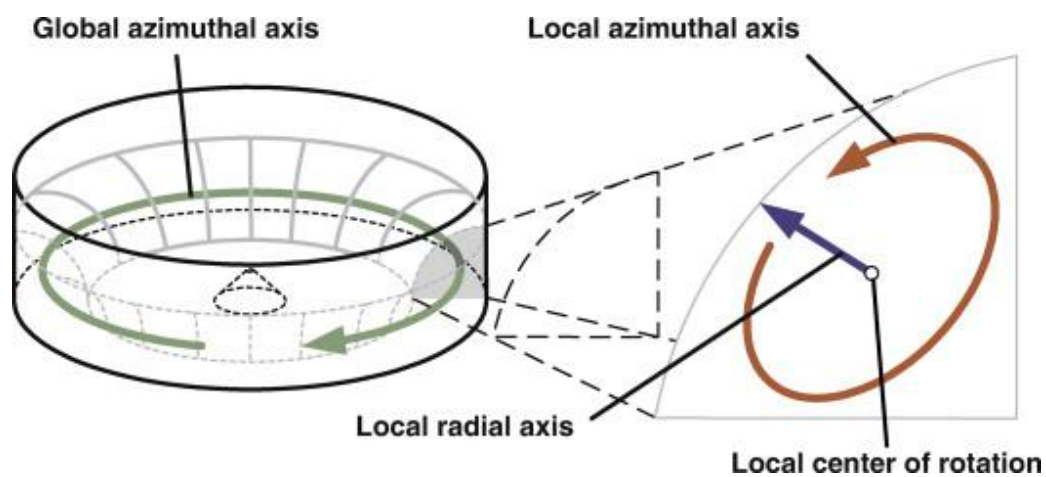
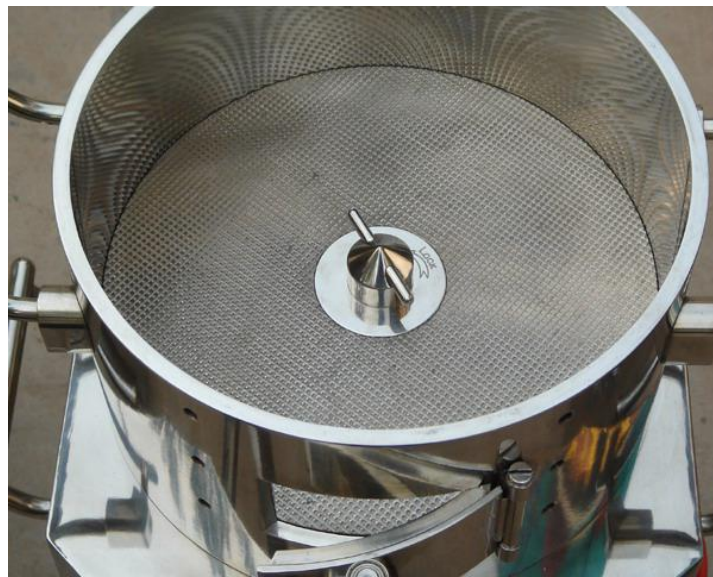
**Features:**

- Stainless steel 316L / 304 welded construction
- Siemens PLC & Touch Screen Control Panel
- Mesh plate with various diameters, achieve various diameters of cylindrical extrudants
- Radial double-screw extrusion, low pressure upon material
- Carry out fast and afebrile extrusion over heat sensitive material
- Single-screw extruder offers three kinds of discharging module
- Spheroids have good roundness and smooth surface
- Several parameters are set to display, accurate and convenient adjustment
- High production efficiency
- Easy cleaning and maintenance
- Fully safety interlocked
- cGMP compliant
- CE marked

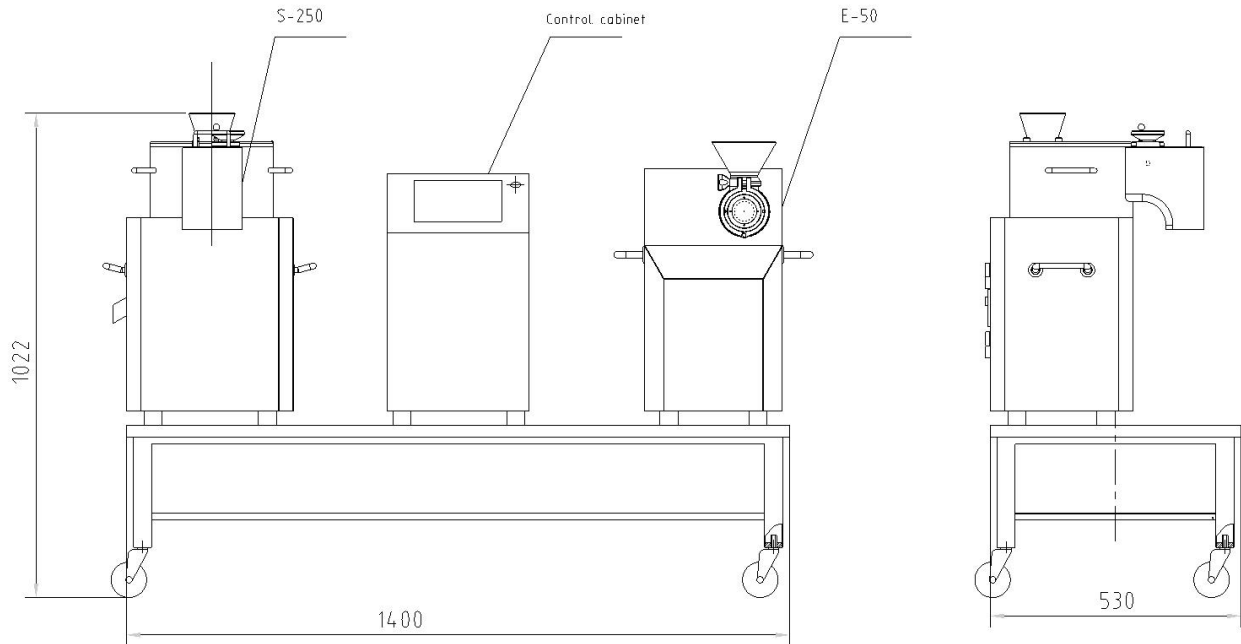


In the production of pharmaceutical preparations, the advanced technology of extrusion and spheronization, as the advanced technologies applied widely in international pharmaceutical industry, has following several advantages:

- Eliminate dust completely through process operation under a moist state.
- Narrow granularity distribution strip, good intensity, big density, and good recurrence between batches.
- Granulates has good roundness, easy for coating, providing conditions for accuracy in allocating and measuring of capsules.
- High return ratio of products, high one time passing rate, be able to manufacture spheroids loaded with more medicine.
- Easy to achieve the mixing of non-compatible active ingredients.
- Large production capacity, easy to operate, low cost.



**Dimensions:**



Main Technical Parameters	E-50	Main Technical Parameters	S-250
Minimum batch charge(Kg)	0.05	Output (Kg/batch)	≤0.5
Output (take Φ1.0 for instance)(Kg/h)	≤10	Time (min/batch)	≤0.5-5.0
Aperture(mm)	Φ0.4-3.0	Power supply (V/Hz)	380 / 50
Power supply (V/Hz)	380/50	Motor power (Kw)	0.75
Motor power(Kw)	0.55	Rotate speed (r/min)	50-2380
Rotate speed(r/min)	5-72	Return ratio of qualified products	>90%
Material return ratio	≥99%	Noise (db)	< 60
Noise(Db)	<45	Equipped capacitor (Kw)	1.0
Outline dimension (mm)	500 x 400 x 610	Outline dimension (mm)	430 x 465 x 660
Net weight (Kg)	45	Net weight (Kg)	84

SaintyCo also offer:

Encapsulation Solutions

Tablet Compression Solutions

Coating Systems

Cartoning Systems

Blister Packing Solutions

