

Auxiliary Support Equipment

GST Gelatin Service Tank



Gelatin Service Tank

Barrels designing or manufacture is in accordance with GMP requirements of health standards, according to GB9684-88 "stainless steel food containers health standards", according to Q/WEJ01-2002 the gelatin capsule of medicine tank(container, barrel) etc. technical standards. It use three layers, which is inner, heating jacket, insulation jacket, as a whole refining by SUS304 stainless steel. Using the electric heating, intelligent temperature controller. Pressure gauge, regulator, security valve, sight glass, etc. were installed on the top of barrel. A drain valve was set in the bottom. Lid locking is the way of quick lamp. The barrel has advantages of thermal insulation, safe and convenient operation, easy cleaning and so on. This barrel has some advantages as thermal insulation, safe and convenient operation, easy cleaning and so on.

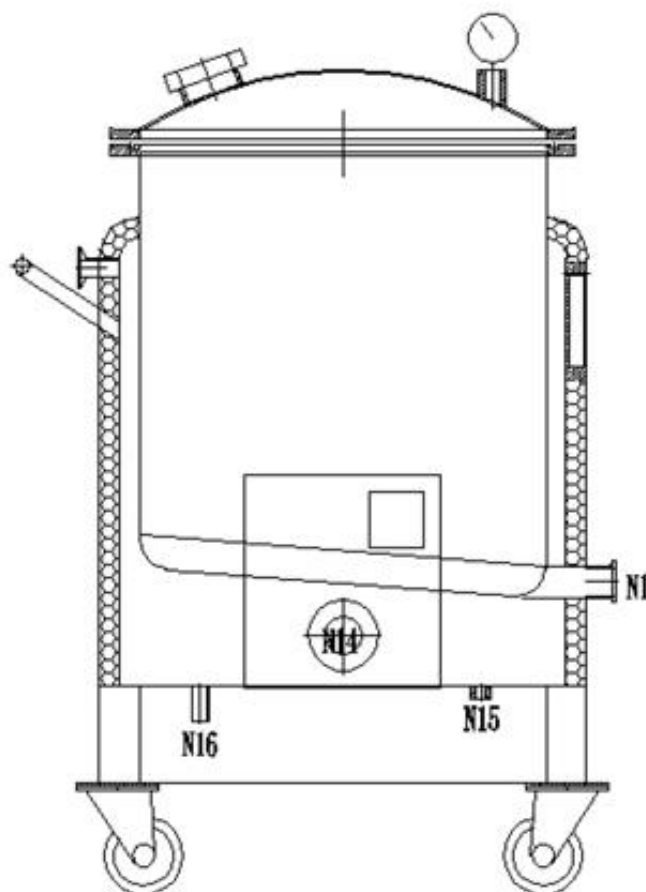


GST-100

GST-200

GST-300

Dimensions:



| Technical Data | GST-100 | GST-200 | GST-300 |
|----------------|-----------------|---------------|-----------------|
| Volume | 100L | 200L | 300L |
| Temperature | < 100°C | < 100°C | < 100°C |
| Pressure | < 0.05Mpa | < 0.05Mpa | < 0.05Mpa |
| Power supply | 220V/60HZ 1.5KW | 220V/60HZ 2KW | 220V/60HZ 2.5KW |
| Dimension | Φ550x1210 mm | Φ700x1330 mm | Φ800x1370 mm |

SaintyCo also offer:

Encapsulation Solutions

Tablet Compression Solutions

Coating Systems

Cartoning Systems

Blister Packing Solutions

