

Blister Packing Machine



Blister Packing Machine

Flat platen type forming and sealing, constant sealing pressure and temperature ensure a perfect blister.

Heat forming and cold forming:

PVC, PVC+PVDC, PVC/aclar, PP, ALU-ALU.etc.

Easy changeover without tools



Features:

- Variable frequency stepless speed regulation, servo traction, adjust the stroke of a key in place.
- The stroke can be adjusted within 40-110mm, which is easy to adjust with correct synchronization.
- Adopts plate-type mould, positive-pressure forming, featured by batch number printing, embossing and cutting, aluminum-foil/plastics automatic feeding, automatic alarm for broken-piece and finished-piece and automatic stop etc.
- Equipped with one set general feeder, which filling percentage reaches 99.5 and above. The feeder is fitted with dust exhaust joint so can overcome the dust problem during feeding. (for tablets and capsule only)
- Adopts registering matching heating so that can reduce the heat energy loss of heater to the least, and the required temperature will be greatly reduced.
- This machine is small in size, light weight, compact in structure, easy operation and maintenance.

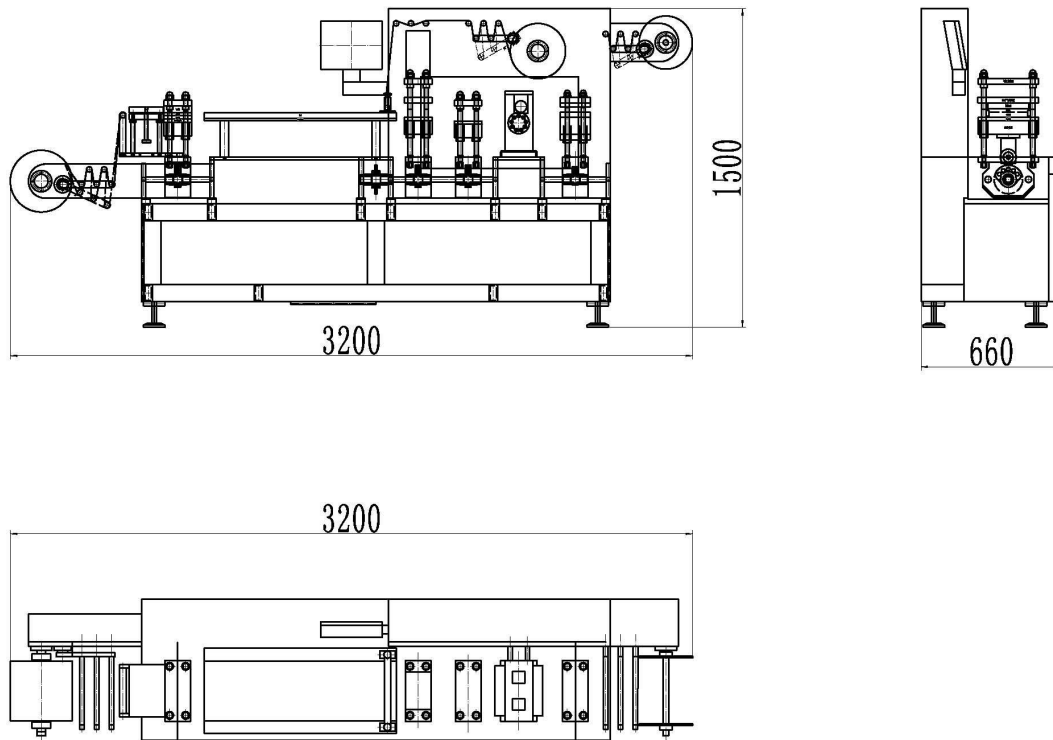


Alu/PVC Blister Packs



Alu/Alu Blister Packs

Dimensions:



Technical Data	BP-180
Speed	Alu/PVC: Up to 50 Cycles/min Alu/Alu:Up to 30 Cycles/min
Travel range	40-110mm (freely adjusted)
Max. Forming Area	160×110mm
Max. Forming depth	12mm (20mm can be customized for option)
Forming foil	PVC, PVC+PVDC, PVC/aclar, ALU-ALU.etc.
Total power	6 kw
Air volume flow	≥0.2m ³ /min
Air pressure	0.4-0.6Mpa
Water consumption	Water cycle 20L/ minutes
PVC specifications	0.25-0.5×180mm
PTP specifications	0.02-0.035×180mm
Dialysis paper	50-100g×180mm
Dimensions	3200×660×1500 mm
Weight	680kg

SaintyCo also offer:

Encapsulation Solutions

Tablet Compression Solutions

Coating Systems

Cartoning Systems

Blister Packing Solutions

