

MagnaFill CF 300

Capsule Filling Machine



Capsule Filling Machine

The **MagnaFill CF 300** Capsule Filling Machine is an intermittent motion, automatic hard gelatine capsule filler with an output of up to 300,000 capsules/hour, designed for filling hard gelatine capsules ranging in size from 0# to 4# with powder or pellets, size 00# & 5# are available as an option.



MagnaFill CF 300

Features:

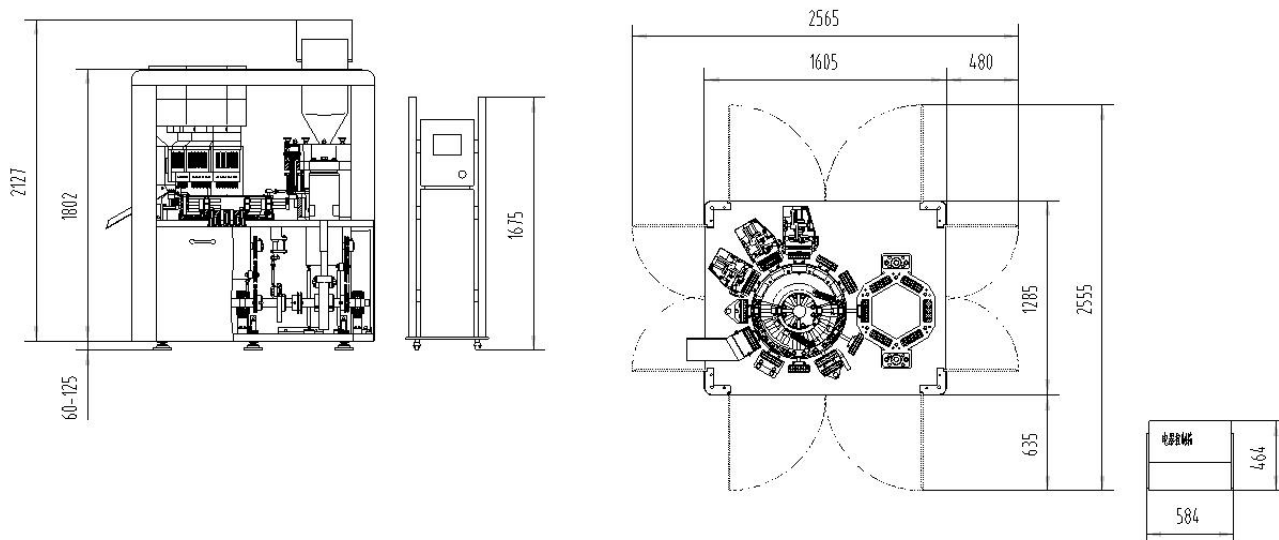
- Up to 300,000 capsules/hour
- Contact parts made of 316L stainless steel
- Siemens PLC and touch screen control
- Enclosed main turn table avoid dust getting into mechanical parts.
- Enclosed dosing system with dust suction reduces cleaning frequency.
- Vacuum cleaning station for segment cleanup in each cycle.
- Efficient capsule separation by means of vacuum.
- Automatic control for capsule and powder supply.
- Safety interlocked guarding
- Alarm for door open
- Alarm for lower level of powder
- Alarm for lower level of capsule
- Fast changeable of mould
- Build-In vacuum pump
- cGMP compliant
- CE Marked

Optionals:

- Pellet filling device
- Auto vacuum loader for Capsule
- Auto powder transporter



Dimensions:



MagnaFill	Technical Data	CF 300
Number of stations		12
Number of segment bores		36
Application range		Capsule sizes: #0, #1, #2, #3, #4 (option #00, #5) Each size requires a set of capsule tooling.
Max. Output		300,000 capsules/h (powder filling)
Power source		380/220V , 3 phase 4 wire , 60/50 HZ
Power consumption		12 Kw
Machine dimensions(L×W×H)		1605×1285×2200(+480)mm
Machine Weight		3500 Kg

SaintyCo also offer:

Encapsulation Solutions

Tablet Compression Solutions

Coating Systems

Cartoning Systems

Blister Packing Solutions

